

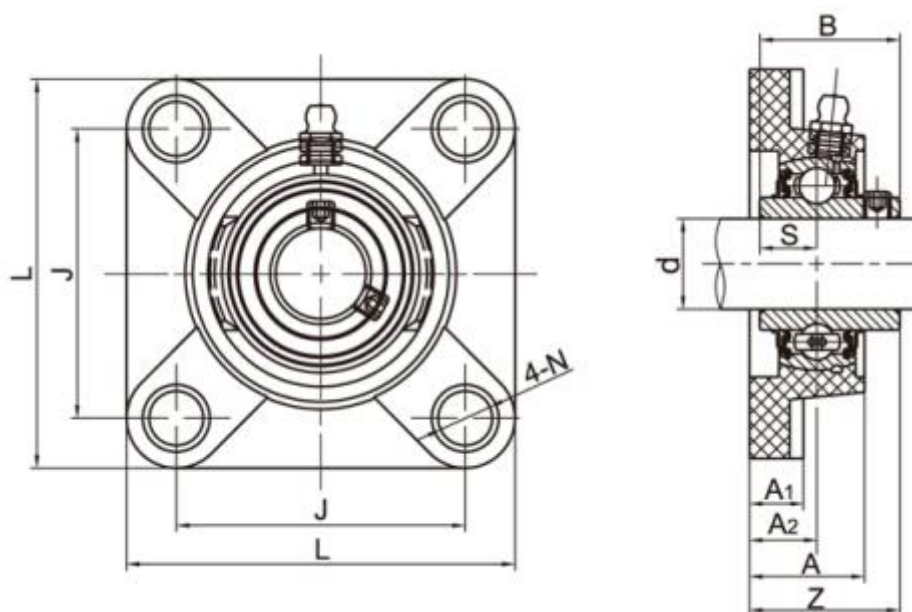
# Data Sheet



Article number: 54810632053

Description: 4 hole Flange Unit TP-SUCF205 for shaft  $\varnothing 25\text{mm}$   
Insert stainless steel, housing Thermoplastic green

## Measures



A = 28	N = 11
A1 = 14	S = 14.3
A2 = 17	Z = 36.7
B = 34.1	
Bolt = M10	
d = 25	
J = 70	
L = 95	